

INSTALLATION INSTRUCTIONS AND USER MANUAL FOR SLOAN® EAF GOOSENECK SERIES FAUCETS

EAF-700

AC Powered, Sensor Activated Electronic
Gooseneck Hand Washing Faucets

EAF-750

Battery Powered, Sensor Activated Electronic
Gooseneck Hand Washing Faucets



LIMITED WARRANTY

Unless otherwise noted, Sloan Valve Company warrants its product, manufactured and sold for commercial for industrial uses, to be free from defects in material and workmanship for a period of three (3) years (one (1) year for special finishes, SF faucets, PWT electronics and 30 days for PWT software) from date of first purchase. During this period, Sloan Valve Company will, at its option repair replace, or refund the purchase price of any product which fails to conform with this warranty under normal use and service. This shall be the sole and exclusive remedy under this warranty. Products must be returned to Sloan Valve Company, at customer's cost. No claims will be allowed for labor, transportation or other costs. This warranty extends only to persons or organizations who purchase Sloan Valve Company's products directly from Sloan Valve Company for purpose of resale. This warranty does not cover the life of the batteries.

THERE ARE NO WARRANTIES WHICH EXTEND BEYOND THE DESCRIPTION ON THE FACE HEREOF. IN NO EVENT IS SLOAN VALVE COMPANY RESPONSIBLE FOR ANY CONSEQUENTIAL DAMAGES OF ANY MEASURE WHATSOEVER.

PRIOR TO INSTALLATION

Prior to installing the Sloan Optima EAF-700 Series Faucets, install the items listed below. Also, refer to rough-in illustrations.

- Lavatory/sink
- Drain Line
- Hot/Cold Water Supply Lines or Tempered Supply

IMPORTANT:

- **ALL PLUMBING SHOULD BE INSTALLED IN ACCORDANCE WITH APPLICABLE CODES AND REGULATIONS.**
- **FLUSH ALL WATER LINES PRIOR TO MAKING CONNECTIONS.**

- **KEEP THREAD SEALANT OUT OF YOUR WATERWAY TO PREVENT COMPONENT PART DAMAGE! DO NOT USE ANY SEALANT ON COMPRESSION FITTINGS.**

Trim Plates

When the EAF Faucet is installed on a sink that has three (3) hole punchings, a trim plate should be used. Trim Plates must be specified and ordered separately.

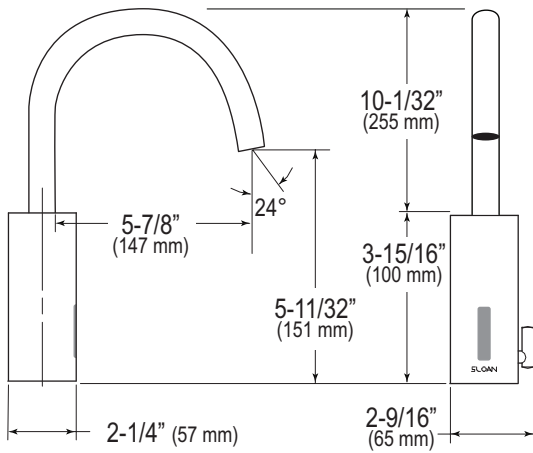
SFP-11 Trim Plate for 4" (102 mm) Centerset Sink

SFP-22 Trim Plate for 8" (203 mm) Centerset Sink

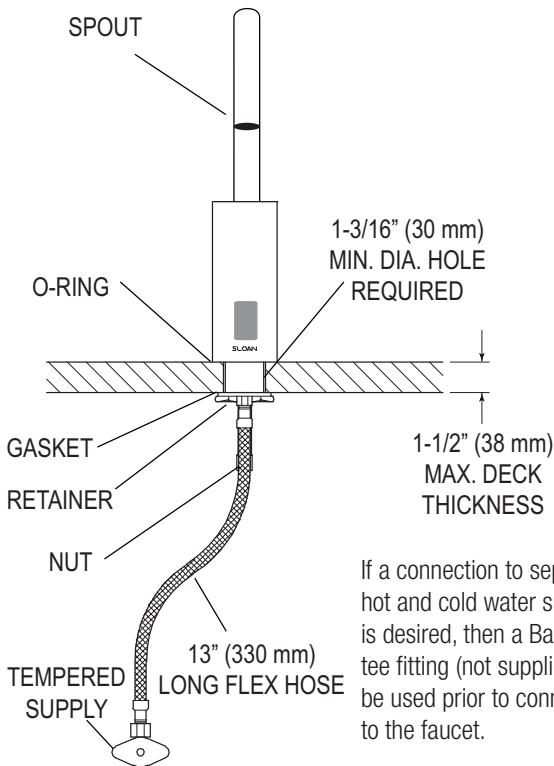
TOOLS REQUIRED FOR INSTALLATION

- 13 mm open end wrench or nut driver for faucet retainer nut
- 5/8" open end wrench for female end of flex hose

FAUCET ROUGH-IN

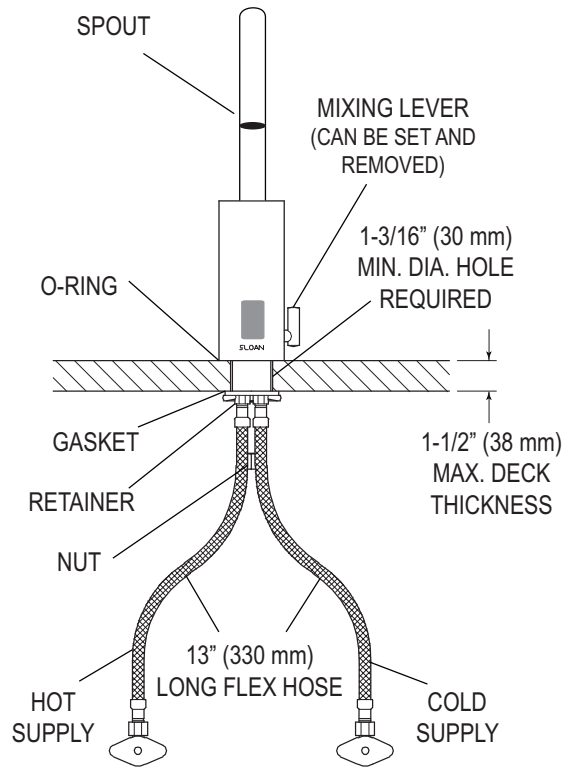


Model EAF-700/750
1.5 gpm (5.7 Lpm) Max. Flow†
Faucets with Tempered Water Supply



If a connection to separate hot and cold water supplies is desired, then a Bak-Chek® tee fitting (not supplied) must be used prior to connecting to the faucet.

Model EAF-700/750
1.5 gpm (5.7 Lpm) Max. Flow†
Faucets with Hot/Cold Water Supply



When the EAF faucet is installed on a sink that has three (3) hole punchings, a trim plate should be used. **Trim plate must be specified and ordered separately:**

ETF-312-A

Trim Plate for 4" (102 mm) Centerset Sink

ETF-510-A

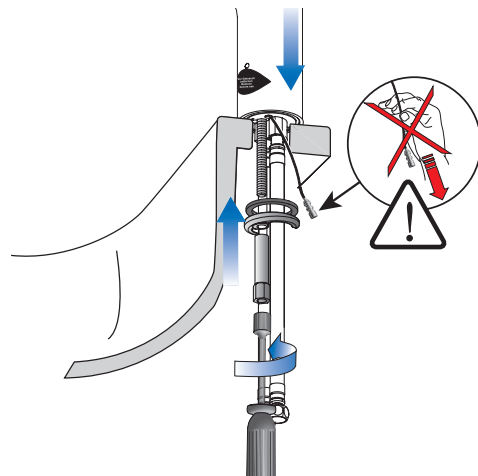
Trim Plate for 8" (204 mm) Centerset Sink

† EAF Faucets are furnished with a 1.5 gpm (3.8 Lpm) spray head).

1 - INSTALLATION TO DECK

IMPORTANT: FLUSH DIRT, DEBRIS, AND SEDIMENT FROM SUPPLY LINE(S) BEFORE CONNECTING FLEX HOSE(S).

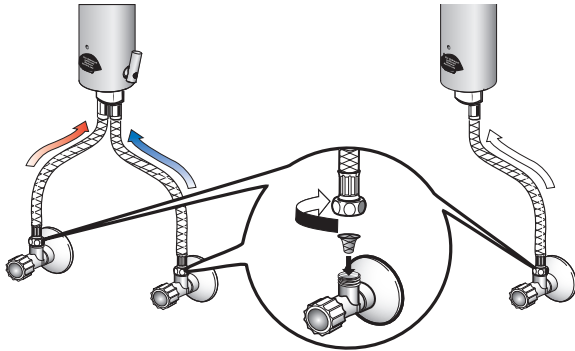
- A** Remove nut, faucet retainer and gasket.
- B** Install faucet into the center hole in deck or lavatory – 1-3/16" (30 mm) minimum hole required.
NOTE: If installing the faucet on a three (3) hole sink, a trim plate should be installed at this time.



2 - CONNECTION TO WATER SUPPLY

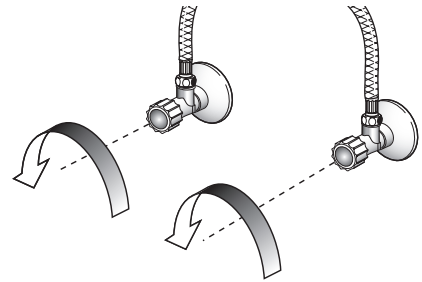
A Flush supply stops before making connections.

B Install strainer and flex hose onto supply stop.

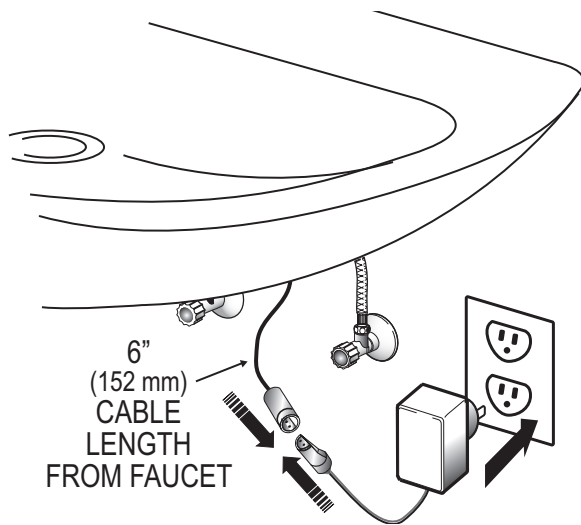


C Tighten the flex hose (with strainer in place) securely to the supply.

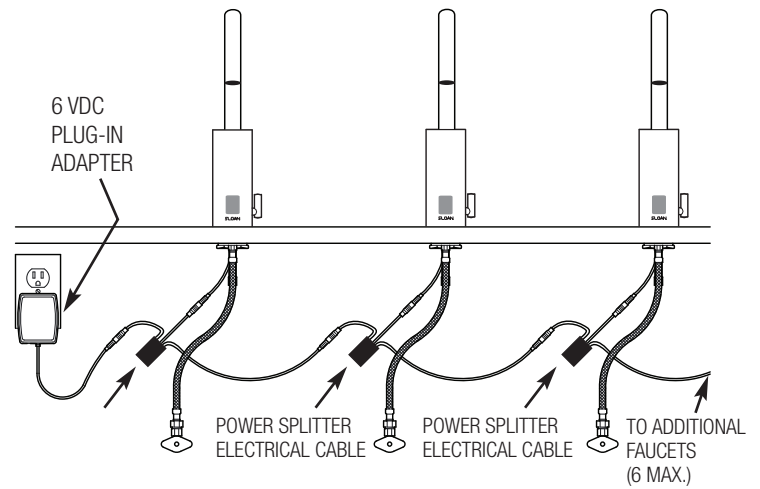
D Open supply stop(s).



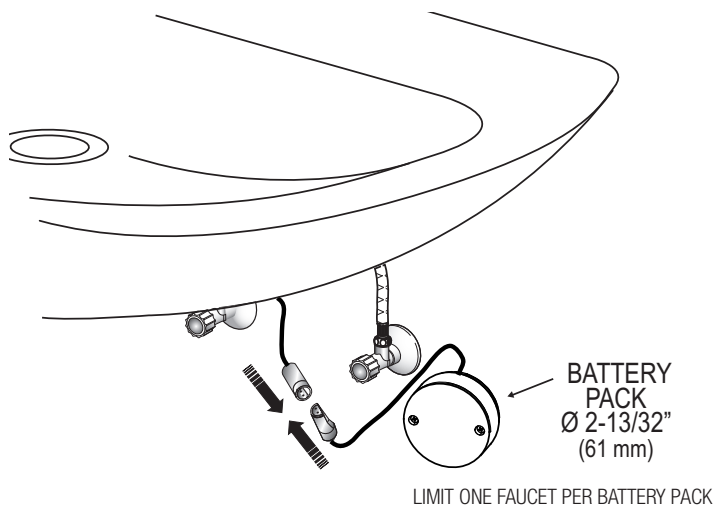
3A - EAF-700 MODELS - PLUG ADAPTER INTO RECEPTACLE



ELECTRICAL CONNECTION FOR UP TO SIX (6) FAUCETS USING ONE ADAPTER

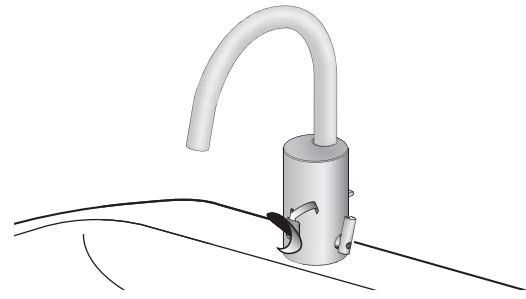


3B - EAF-750 MODELS - CONNECT BATTERY PACK

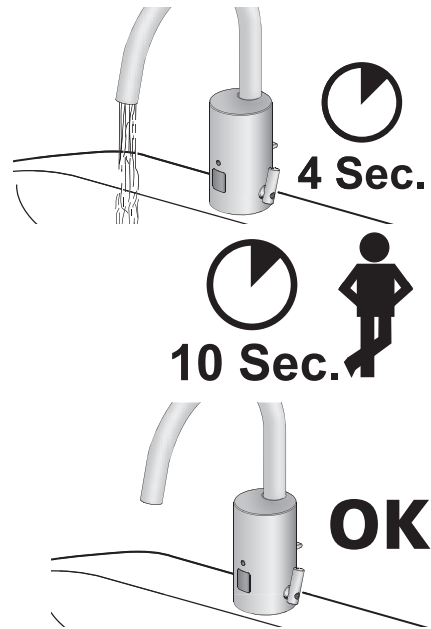
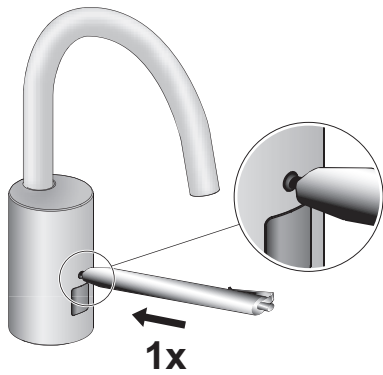


4 - START-UP

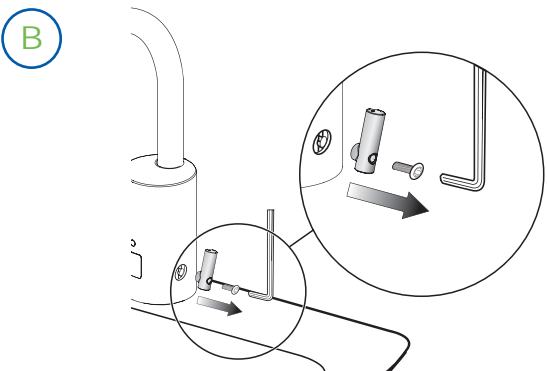
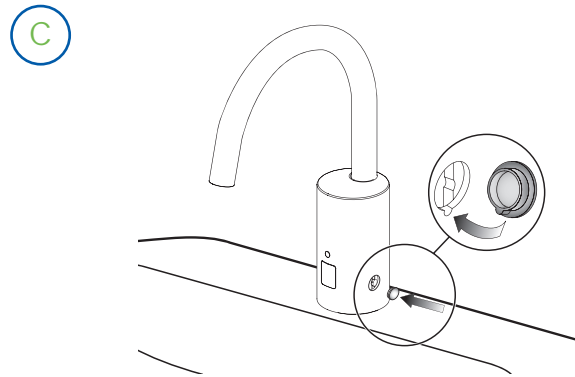
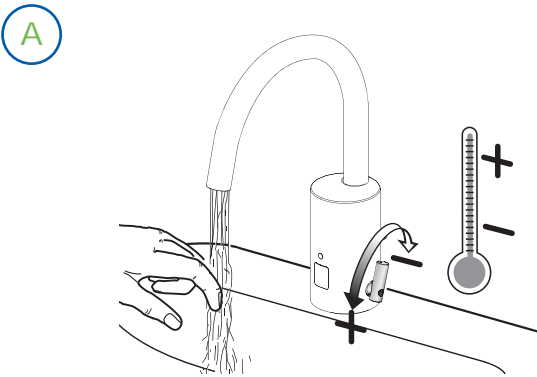
A Remove label from faucet sensor.



B Activate faucet by pressing the button one (1) time, then immediately step away. Faucet will run water for 4 seconds. Wait 10 seconds and then the faucet is ready to use.



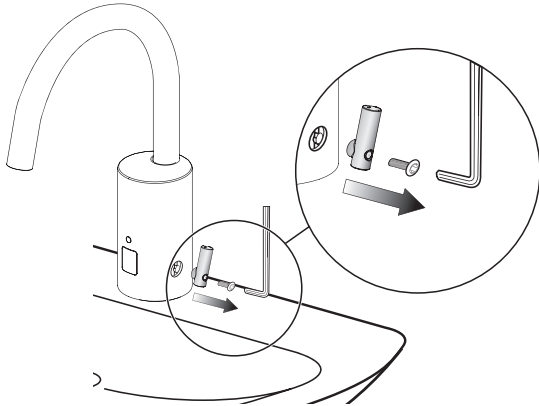
SET AND FIX TEMPERATURE (OPTIONAL)



HOT LIMIT STOP ADJUSTMENT

LIMIT THE MAXIMUM WATER TEMPERATURE. NOTE: THIS DOES NOT TAKE THE PLACE OF AN ASSE 1070 CERTIFIED MIXING DEVICE. BUT IS AN ADDED MEASURE TO LIMIT DELIVERY OF HOT WATER.

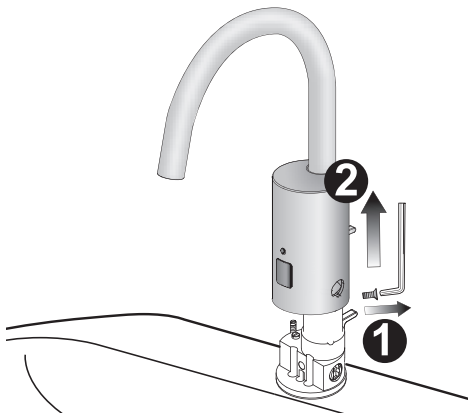
A



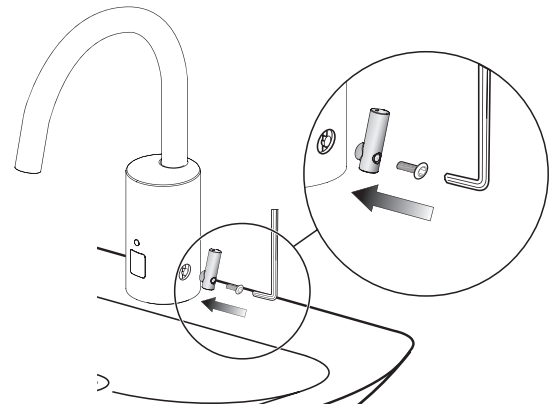
D



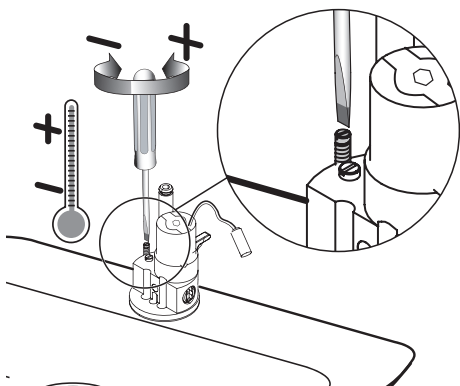
B



E

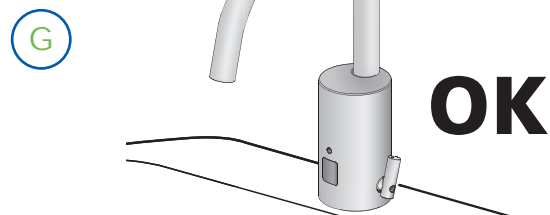
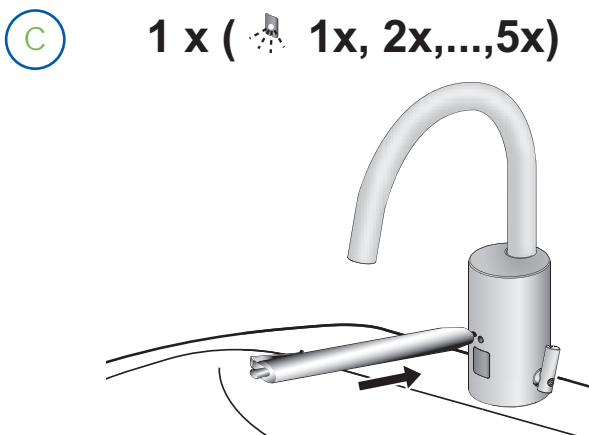
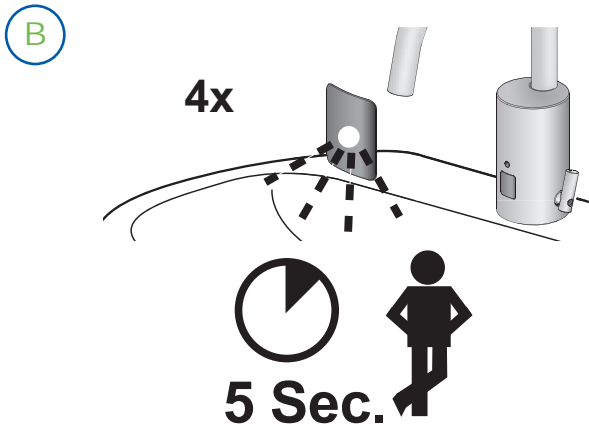
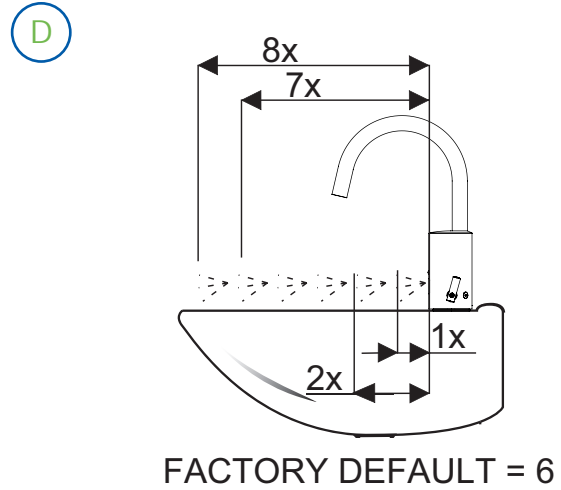
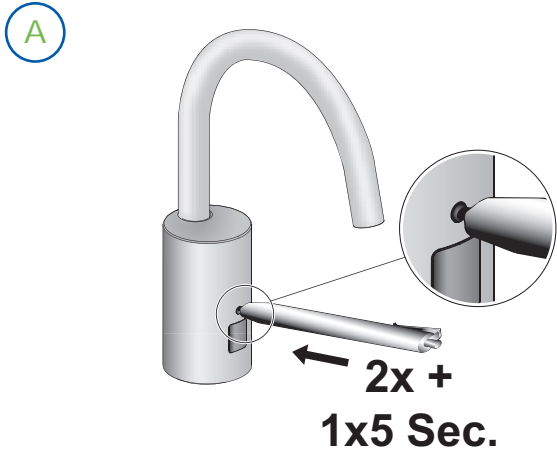


C

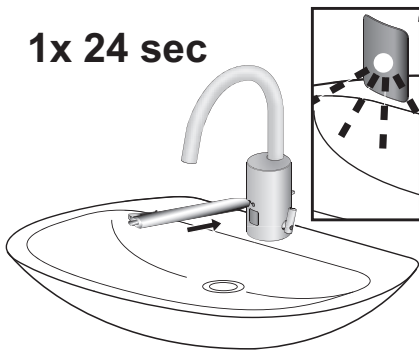


SENSOR RANGE ADJUSTMENT

FACTORY SETTING IS APPROPRIATE FOR THE MAJORITY OF APPLICATIONS AND SHOULD NOT REQUIRE RESETTING UNLESS UNDER EXTREME SITUATIONS.



12/24 LINE PURGE FEATURE



		h
DEACTIVATE	1x	---
ACTIVATE	2x	12h
	3x	24h

This feature will operate the faucet every 12 or 24 hours since last use, if not used to prevent stagnant water conditions.

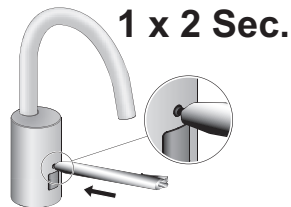
Default purge duration is two minutes.

Consult factory regarding other timing options.

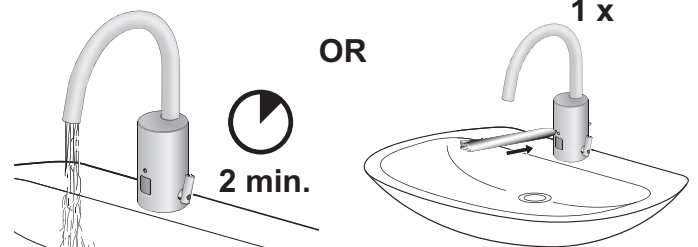
I.Q.-CLICK FEATURE

I. CONTINUOUS RUN

A Continuous run of water for 2 minutes.

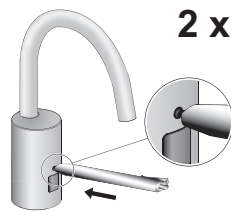


B Faucet will operate normally after 2 minutes or after pressing i.q.-click button once.

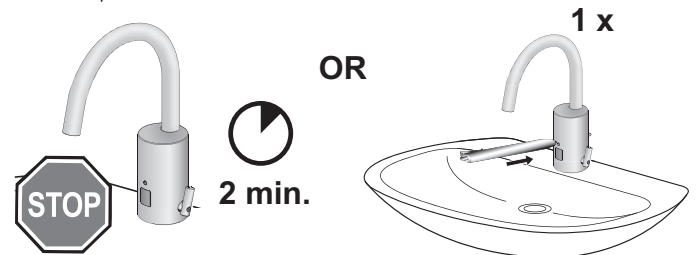


II. CLEANING MODE

A Pause faucet for cleaning for 2 minutes.



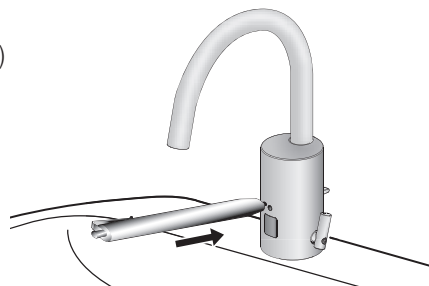
B Faucet will operate normally after 2 minutes or after pressing i.q.-click button once.



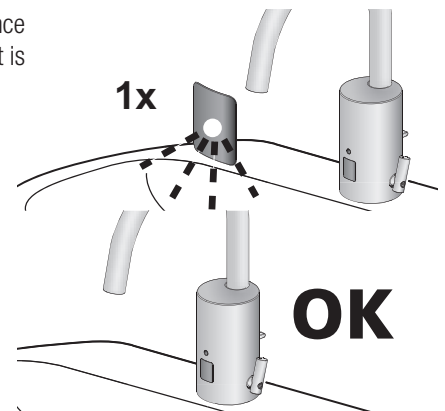
OFF-DELAY (FOLLOW UP TIME)

DURATION OF TIME THE WATER RUNS AFTER TARGET IS REMOVED.

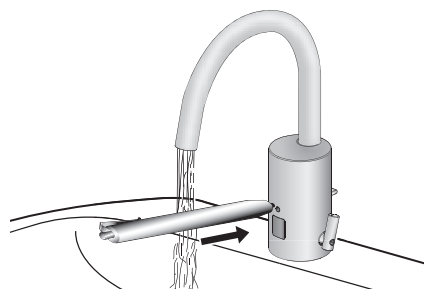
A Press the button for approximately six (6) seconds. Release.



C Sensor will flash once and then the faucet is ready to operate.



B Press again (water flows) and release when the desired time of water flow (0-5 seconds) is reached.



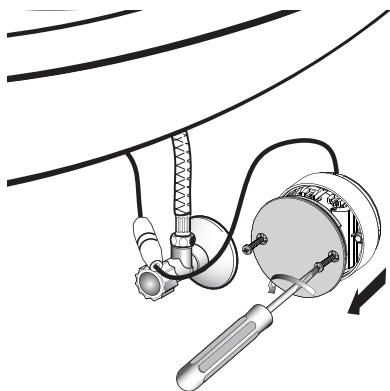
OPERATION

As the user's hands enter the beam's effective range, the beam is reflected back into the sensor receiver and activates the solenoid valve allowing water to flow from the faucet. Water will flow until the hands of the user are removed or until the faucet reaches its automatic time out limit setting.

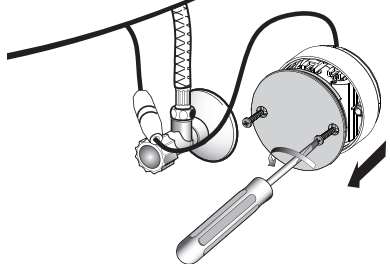
BATTERY REPLACEMENT

NOTE: REPLACE BATTERY WHEN RED LED INDICATOR FLASHES EACH TIME FAUCET IS IN USE OR WHEN FAUCET STOPS FUNCTIONING.

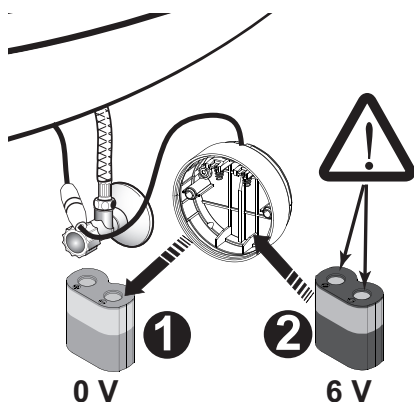
A No need to turn off water.



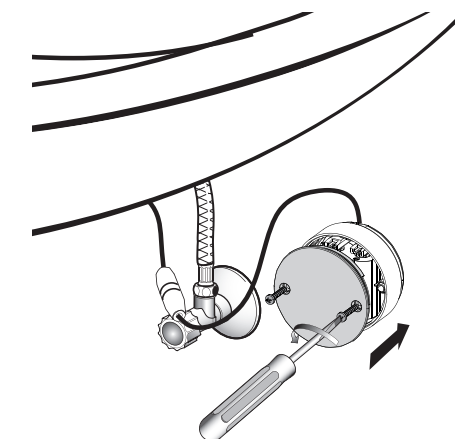
B Loosen screw with hex wrench and remove cap. Slide cover forward and lift off.



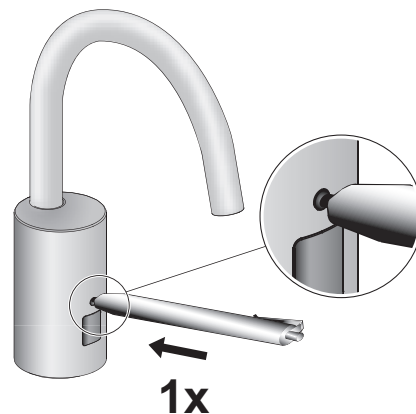
C Remove battery. Replace batteries with new "CR-P2" lithium battery.



D Replace cover.



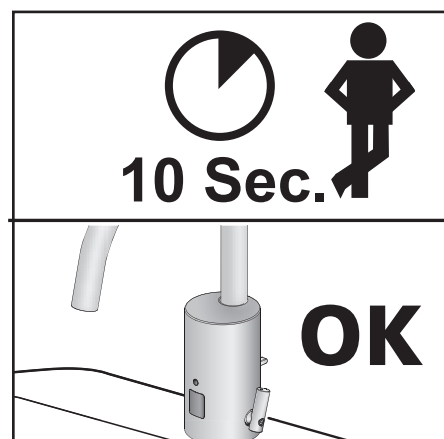
E Activate faucet by pressing i.q. cliq one (1) time, then immediately step away.



F Faucet will operate for 4 seconds.



G Wait 10 seconds and then the faucet is ready for operation.



TECHNICAL DATA

NOMINAL VOLTAGE	6 VDC
POWER SUPPLY	120 VAC/ 6.75 VDC
WATER PRESSURE	4.3-125 PSI (0.3 - 8.6 bar)
FLOW RATE	1.5 gpm (5.7 Lpm)
WATER FLOW DURATION	0.5-4 seconds
WATER TEMPERATURE	MAX. 176°F/80°C

TROUBLESHOOTING

1. Faucet does not function.

- A. *Adhesive packaging label affixed over sensor eye.*
Remove adhesive label from sensor eye.
- B. *"Intermittent Off" is activated.*
Press button once.
- C. *Water supply stop(s) closed.*
Open water supply stop(s).
- D. *Battery is "dead".*
Replace battery (refer to Battery Replacement section of guide).

2. Faucet delivers water in an uncontrolled manner.

- A. *Reflection.*
Remove reflective surface.
- B. *Faucet is not working properly.*
Contact Sloan Valve Company Installation Engineering Department.

3. Faucet does not deliver any water when Sensor is activated.

Solenoid Valve produces an audible "CLICK."

- A. *Water supply stop(s) closed.*
Open water supply stop(s).
- B. *Water supply stop strainer(s) clogged.*
Remove, clean, and reinstall water supply stop strainer(s). Replace strainer(s), if required.

Solenoid Valve DOES NOT produce an audible "CLICK."

- A. *Battery low (battery operated models).*
Replace battery (refer to Battery Replacement section of guide).
- B. *Power failure.*
Check power supply.

4. Faucet delivers only a slow flow or dribble when sensor is activated.

- A. *Water supply stop(s) are partially closed.*
Completely open water supply stop(s).
- B. *Water supply stop strainer(s) clogged.*
Remove, clean, and reinstall water supply stop strainer(s). Replace strainer(s), if required.
- C. *Spray head is clogged.*
Remove, clean, and reinstall spray head. Replace spray head, if required.
- D. *Faucet is not working properly.*
Contact Sloan Valve Company Installation Engineering Department.

5. Faucet does not stop delivering water or continues to drip after user is no longer detected.

- A. *Faucet is not working properly.*
Contact Sloan Valve Company Installation Engineering Department.

6. LED indicator blinks when faucet is in use.

- A. *Battery low (battery operated models).*
Replace battery (refer to Battery Replacement section of guide).

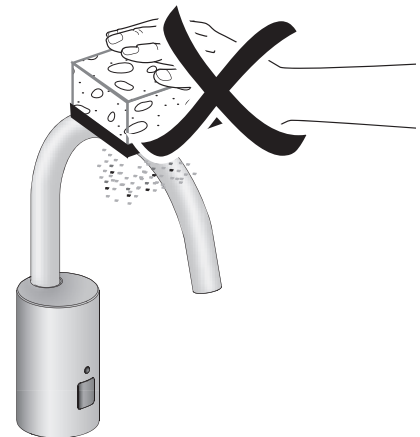
7. The water temperature is too hot or too cold on a faucet connected to hot and cold supply lines.

- A. *Supply stops are not adjusted properly.*
Adjust supply stops.

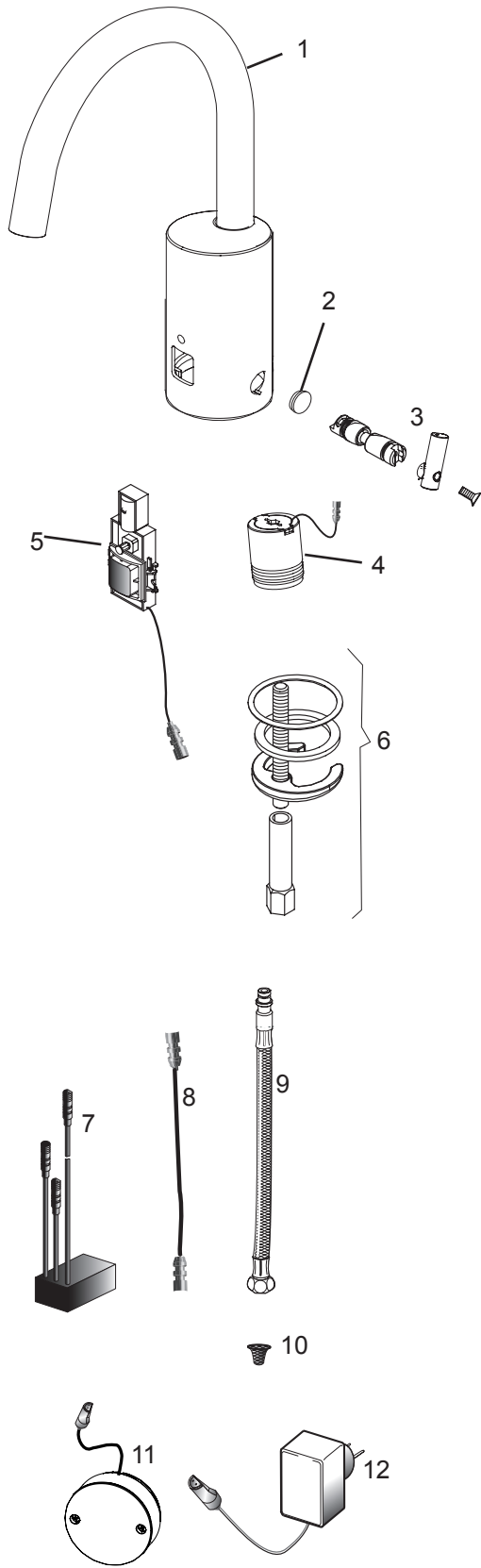
When assistance is required, please contact Sloan's Installation Engineering Department at:
1-888-SLOAN-14 (1-888-756-2614)

CARE AND CLEANING

DO NOT USE abrasive or chemical cleaners (including chlorine bleach) to clean faucets that may dull the luster and attack the chrome or special decorative finishes. Use **ONLY** mild soap and water, then wipe dry with clean cloth or towel. While cleaning the bathroom sink, protect the faucet from any splattering of cleaner. Acids and cleaning fluids will discolor or remove chrome plating.



PARTS LIST



Item No.	Part No.	Description
1	—	Spout Assembly
2	—	Integral Side Mixer Handle Cap
3	—	Integral Side Mixer Kit
4	EAF-2	Solenoid
5	—	Sensor Assembly
6	EAF-1	Mounting Hardware
7	EAF-44	Power Splitter
8	EAF-24-A	11-13/16" (300 mm) Extension Cable
	EAF-25-A	47-1/4" (1200 mm) Extension Cable
	EAF-17-A	126" (3200 mm) Extension Cable
9	EAF-1008	13" (330 mm) Flexible Supply Hose
10	EAF-9	Filter/Strainer
11	EAF-48	Battery Box
12	EAF-11-A	Plug-in Voltage Adapter, US Plug

The information contained in this document is subject to change without notice.

SLOAN VALVE COMPANY • 10500 SEYMOUR AVENUE • FRANKLIN PARK, IL 60133

Phone: 1-800-9-VALVE-9 (1-800-982-5839) • Fax: 1-800-447-8329 • www.sloanvalve.com